



PLX60

Mini Excavator



Engine Model:	Kubota V2607T
Gross Power:	36 kW/2000 rpm
Operating Weight:	5,960 kg
Bucket Capacity:	0.22 m ³

POCLANE PLX60 SPECIFICATIONS

ENGINE

Model	Kubota V2607T
Type	Water cooled, direct injection, turbocharged
No. of cylinder	4
Emission	Tier 3 / Stage III
Displacement	2.615L
Power output	36kW/2000rpm

HYDRAULIC SYSTEM

Type	Variable plunger pump
Max. discharge flow	152L/min

DIGGING FORCE (ISO6015)

Bucket	48 kN
Arm	29 kN

BUCKET

Type	Backhoe bucket
Capacity	0.11–0.22 (0.22)m ³
Width	765mm

TRAVEL SYSTEM

Type	Axial variable plunger motor
Track roller	5x2
Carrier roller	1x2
Track shoe	40x2
Travel speed	2.7/4.6 & 2.6/4 km/h
Max. Drawbar pull	50kN
Gradeability	70% (35°)

SWING SYSTEM

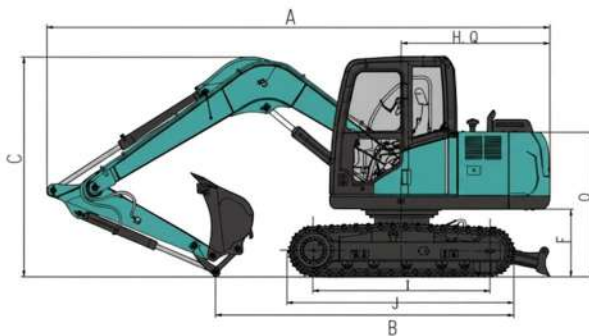
Swing motor type	Swash plate plunger motor
Swing speed	0–12r/min
Brake type	Pressure release, mechanical braking

REFILLING CAPACITIES & LUBRICATIONS

Fuel tank	105L
Cooling system	10.4L
Engine oil	10L
Hydraulic oil tank	74L
System Capacity	110L

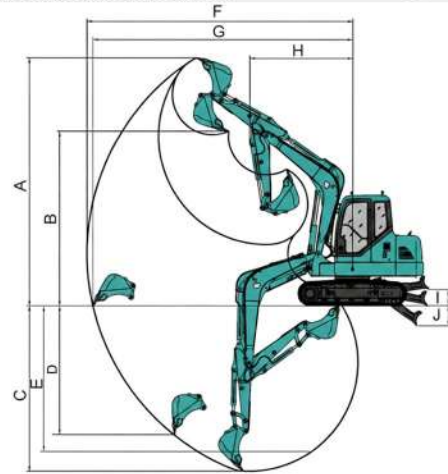
OPERATING WEIGHT AND GROUND PRESSURE

Shoe width	400mm
Ground pressure	33kPa
Operating weight	5960kg



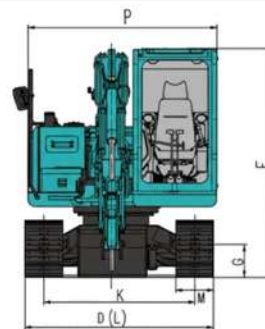
SCOPE OF WORK (mm) (Boom: 3000 mm Arm: 1600 mm)

A	Max. digging height	5785
B	Max. dumping height	4075
C	Max. digging depth	3850
D	Max. vertical digging depth	3000
E	Max. depth cut for 2500mm level bottom	3770
F	Max. digging distance	6200
G	Max. digging radius at ground level	6060
H	Min. swing radius of work equipment	2395
I	Max lifting height of bulldozer	385
J	Max cutting depth of the bulldozer	465



DIMENSIONS (mm)

A	Overall length	5855
B	Ground contact length (Transportation)	3330
C	Overall height (to top of boom)	2060
D	Overall width	1880
E	Overall height (to top of cab)	2610
F	Counter weight ground clearance	710
G	Ground clearance	360
H	Tail swing radius	1655
I	Tread	1990
J	Track length	2560
K	Track gauge	1480
L	Track width	1880
M	Shoe width	400
O	Bonnet height	1635
P	Revolving frame width	1780
Q	Distance from swivel center to tail	1655



* THE SPECIFICATIONS ARE SUBJECT TO CHANGE WITHOUT NOTICE. THE PICTURES MAY INCLUDE OPTIONS. THE ACTUAL COLOR & APPEARANCE OF THE PRODUCT MAY DIFFER FROM WHAT IS SHOWN.



POCLANE CONSTRUCTION EQUIPMENT INDIA PVT LTD

ADDRESS: No. 8/110, GST ROAD, PALLAVARAM, CHENNAI 600 043, TAMILNADU, INDIA.

MOBILE: +91 86672 79007 | +91 74492 57231 | +91 73058 43417

EMAIL: sales@poclane.com | WEB: www.poclane.com



POCLANE